

Iveco New Daily Crew Van

perfect combination between people and cargo

Snoeks
Automotive



Index

| | |
|----------------------------|----|
| Snoeks Crew Van | 4 |
| Crew Van Comfort | 6 |
| Accessories | 8 |
| Program and Dimensions | 10 |
| Specifications and options | 12 |
| Test drive | 14 |



Crew Van

ultimate solution for work and leisure

By fitting a second seat row with an integrated partition wall it is possible to convert your closed panel van into a Crew Van at all times. The perfect solution for the combined transport of people and material.

Safe, comfortable and efficient.

Obviously the Crew Van applies to the highest European safety standards. All seats are provided with 3-Point inertia-reel safety belts and tiltable and in height adjustable head restraints.

The separation wall is designed to meet the BS/ISO 27956 standard for load shifting protection.

Also the design plays an important role when developing a Crew Van. The fine designed partition wall separates load and passenger compartment completely.

Snoeks Crew Vans

core values

Design

We want end users to experience vehicles with our modifications as if the end result was built in its entirety by the factory. Snoeks products are fully aligned with the design of the vehicle. The structure and colour of materials applied, such as fabrics and plastic parts, perfectly match with those originally used.



Safety

Snoeks ensures all products meet the latest legislation for Light Commercial Vehicles. All our seats are equipped with tested and approved 3-point seat belts and adjustable headrests. Our partition walls offer occupants certified protection against shifting cargo.



Comfort

Snoeks has decades of experience in developing and constructing car seats where quality, safety, design and seating comfort maximize the comfort experience of consumers. These ergonomic car seats adequately support the occupants' body.



Functionality

The Crew Van is the optimal and attractive combination for the efficient transport of both persons and cargo. Unique is the loading space created under the rear seats which can be utilized for transporting "longer" cargo. To further enhance the functionality Snoeks offers options such as convenient storage pockets, USB ports and LED spots.



Fitability

Snoeks modifications are designed for a specific car model and are therefore fully compatible. We aim to match the high finishing level of the car manufacturer. We attach our products as much as possible to connection points already available in the vehicle. All these efforts enable us to modify vehicles with a minimum of work hours needed.





Crew Van

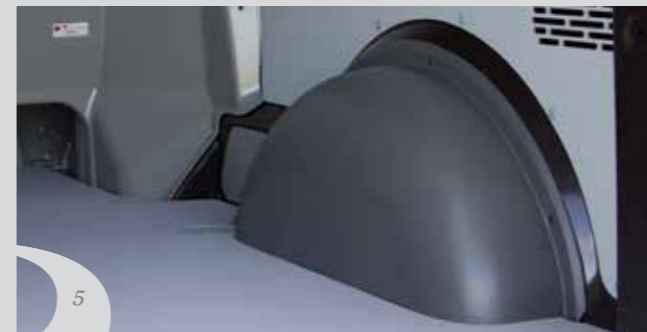
Comfort

With the Comfort Crew Van, safety and functionality come first. This Crew Van can accommodate up to six people while still providing a cargo area in which you easily transport all the necessary materials and tools needed for a six crew project.

All seating positions are equipped with European approved 3-Point inertia-reel safety belts. The 3-seater contoured bench is covered with cloth as the front seats.

The combination of a comfortable 3-seater bench and durable materials make the Crew Van ready for intensive use.

- 1) *Head restraints adjustable in height*
- 2) *3-Point inertia-reel safety belt on all seats*
- 3) *Storage pocket above headlining front seats*
- 4) *Storage pocket integrated in lower off-side cover*
- 5) *Additional load space under the bulkhead*



Accessories

complete your vehicle

Each Snoeks Crew Van comes with a very rich standard equipment. With our wide range of Accessories you can tune the Crew Van of your choice even further to your individual wishes.

On this page you will find just a few of the most popular accessories. For all possibilities see chapter "Specifications and Options" or ask your commercial vehicle dealer for details.

- 1) *Roofpacker, aluminium*
- 2) *Lashing channels*
- 3) *Load floor Professional with Quick fix system*
- 4) *Sidebar, brushed aluminum*
- 5) *Wheel Arch Covers, ABS-tooled*

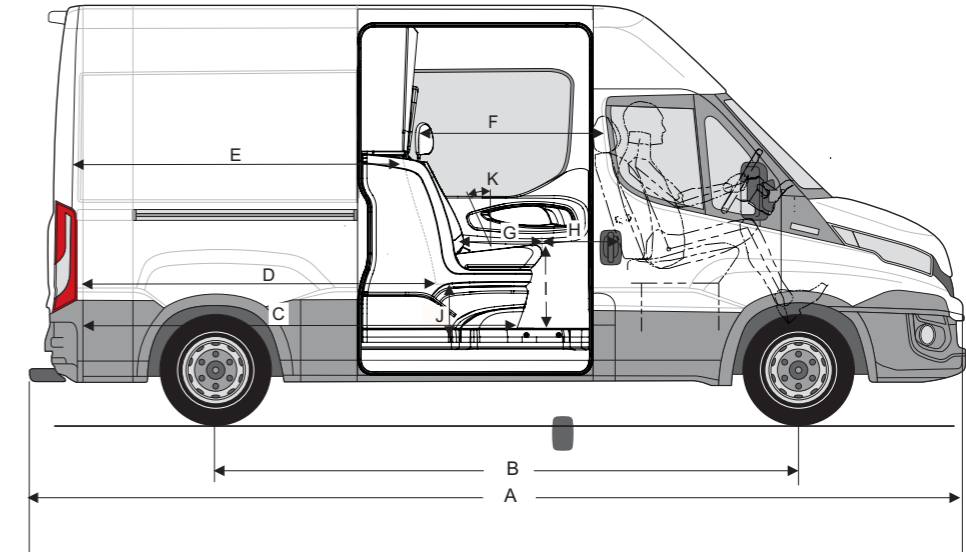
Program and Dimensions

Comfort

| | L2 RWD | L2+ RWD | L3 RWD | L3+ RWD |
|-----------------------------|--------|---------|--------|---------|
| SLIDING DOOR | | | | |
| Sliding door right | ■ | ■ | ■ | ■ |
| Sliding door left | ■ | ■ | ■ | ■ |
| Sliding door left and right | ▲ | ▲ | ▲ | ▲ |
| WINDOWS | | | | |
| Factory fitted windows | ■ | ■ | ■ | ■ |
| No factory fitted windows | ▲ | ▲ | ▲ | ▲ |
| OTHER | | | | |
| Co-driver's seat | ■ | ■ | ■ | ■ |
| Co-driver's bench | ■ | ■ | ■ | ■ |
| ROOF HEIGHT | | | | |
| H2 | ■ | ■ | ■ | ■ |
| H3 | - | - | - | - |

- Available
- ▲ Available for an additional charge
- FWD Front Wheel Drive
- RWD Rear Wheel Drive

Please check above configurations to determine availability.



| | A | B | C | D | E | F* | G | H* | I | J | K** |
|-----|------|------|------|------|------|------|-----|-----|-----|-----|--------|
| L2 | 5560 | 3520 | 2555 | 1950 | 2050 | 1010 | 450 | 370 | 450 | 362 | 19-25° |
| L2+ | 5960 | 3520 | 2960 | 2355 | 2455 | 1010 | 450 | 370 | 450 | 362 | 19-25° |
| L3 | 7130 | 4100 | 4125 | 3520 | 3620 | 1010 | 450 | 370 | 450 | 362 | 19-25° |
| L3+ | 7500 | 4100 | 4495 | 3890 | 3990 | 1010 | 450 | 370 | 450 | 362 | 19-25° |

All dimensions are in millimeters

- * Relative to the fixed co-drivers bench
- ** Only with optional adjustable seat system

Specifications and options

| | Comfort | |
|--|---------|--------|
| | L2 (+) | L3 (+) |
| ABS PARTITION WALL WITH INTEGRATED SAFETY WINDOW | | |
| Bench cover with storage pocket, additional load space under the bulkhead | ■ | ■ |
| SEATING | | |
| 3-Seater contoured bench, covered in cloth as front seat | ■ | ■ |
| 3 Individually adjustable seats, covered with cloth as front seats | o | o |
| 4-Seater contoured bench, covered in cloth as front seat | o | o |
| Adjustable head restraints on all seating positions, as front seats | ■ | ■ |
| 3-Point inertia-reel safety belt on all seating positions | ■ | ■ |
| FLOOR | | |
| Floor before 2nd seat row, covered with fixed rubber mat | ■ | ■ |
| SIDE-WALL FINISHING | | |
| Off-side finished with lower cover in tooled ABS-plastic, incl. cup holder and storage pockets | ■ | ■ |
| Off-side finished with upper cover in tooled ABS-plastic | ■ | ■ |
| HEADLINING | | |
| Tooled ABS-plastic headlining, covered in cloth as front headlining | ■ | ■ |
| Storage pocket above headlining front seats | ■ | ■ |
| WINDOWS | | |
| Window(s) left and / or right, tinted, non-opening | o | o |

- Standard
- Not available
- o Option



Test drive

experience the convenience

A test drive is the best way to choose the Snoeks Crew Van that suits you best. Experience the convenience, efficiency and comfort of the Iveco Daily with Crew Van.

An appointment for a test drive is quickly made. On the website www.iveco.com you will find the nearest Iveco commercial vehicle dealer.



All rights reserved. Under the copyright laws, this content may not be copied, in whole or in part, without the written consent of Snoeks Automotive.

Snoeks Automotive reserves the right to change or improve its products and to make changes in the content of this brochure without obligation to notify any person or organization of such changes or improvements.

Please visit www.snoeksautomotive.com for current updates and supplemental information concerning the use of this product

Snoeks Automotive B.V.
Haverstraat 19
NL-2150AE Nieuw-Vennep
The Netherlands

info@snoeksautomotive.com
www.snoeksautomotive.com

